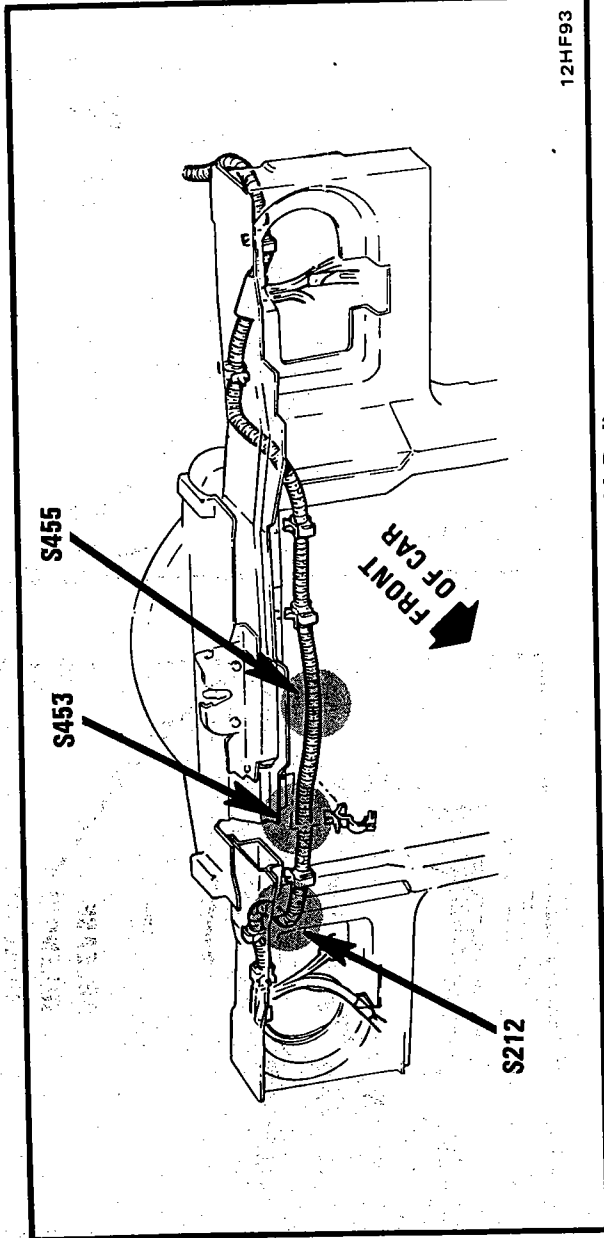
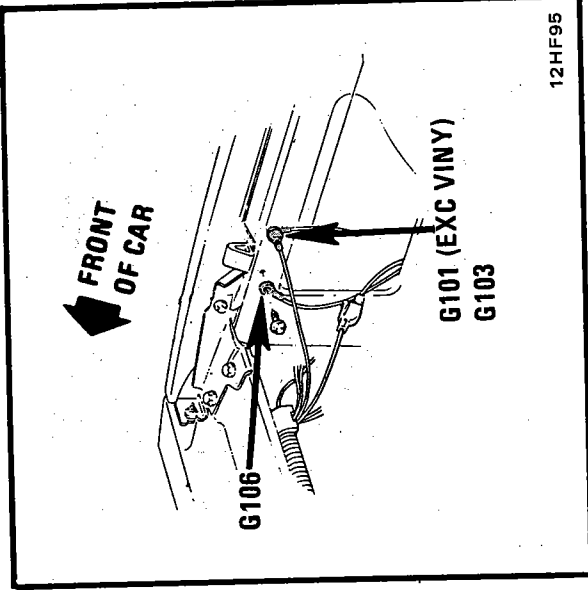


COMPONENT LOCATION VIEWS



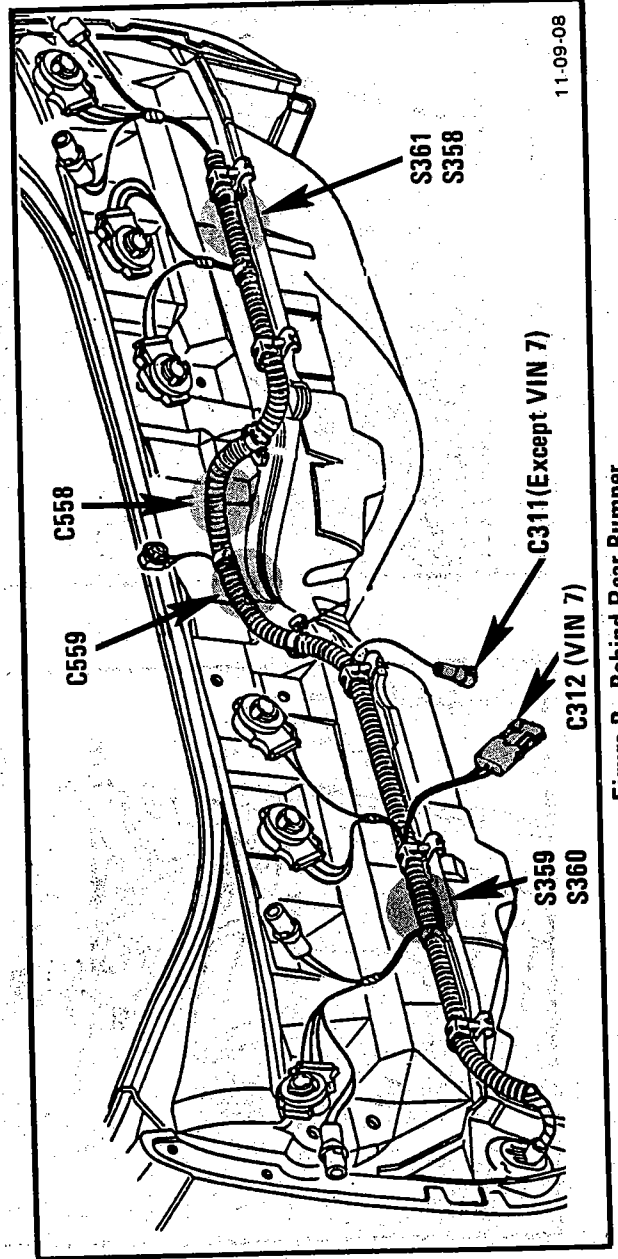
12HF93

Figure A - Front Panel Forward Of Radiator



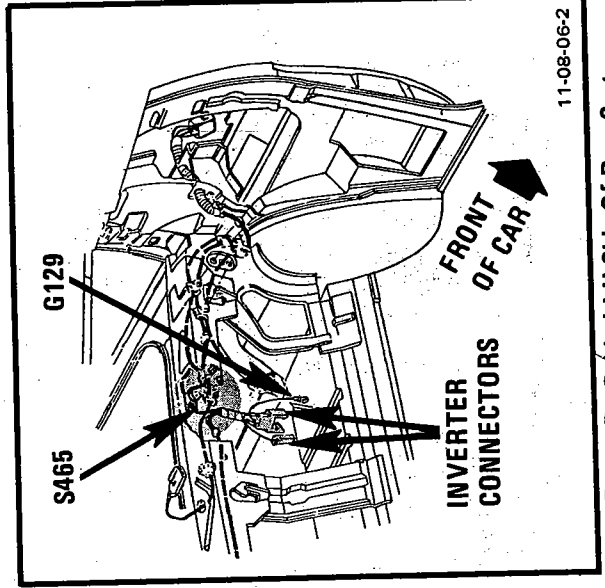
12HF95

Figure C - RH Front Of Engine Compartment



11-09-08

Figure B - Behind Rear Bumper



11-09-06-2

Figure D - Behind LH Side Of Rear Seat

COMPONENT LOCATION VIEWS

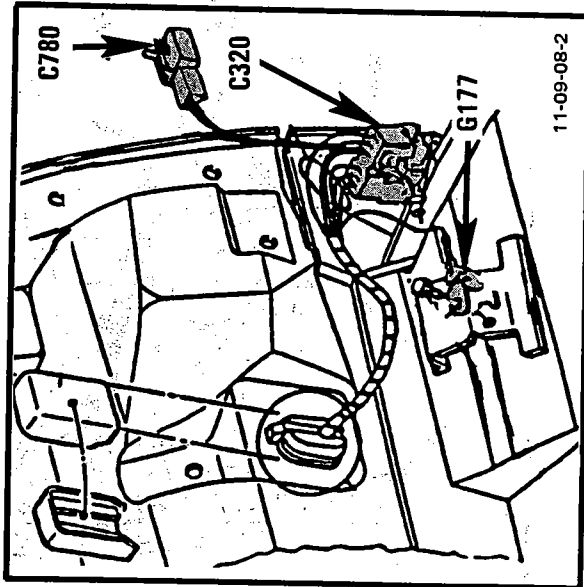


Figure A - LH Rear Corner Of Trunk

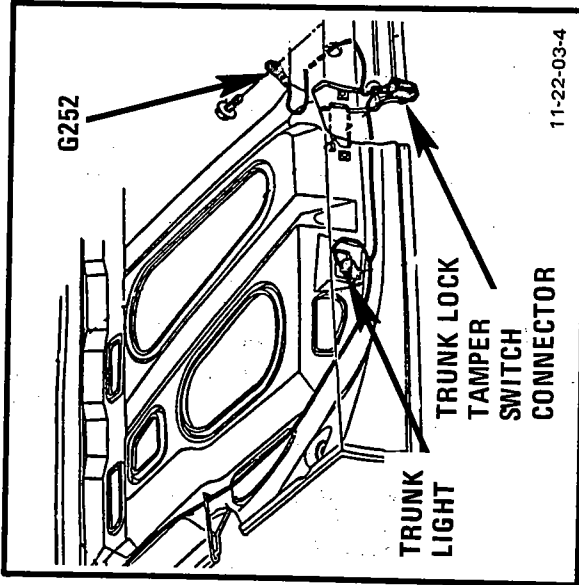


Figure C - Underside Of Trunk Lid

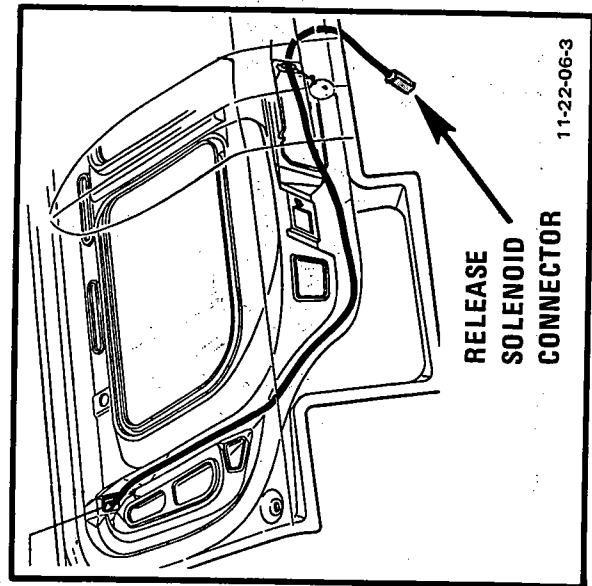


Figure B - Underside Of Trunk Lid

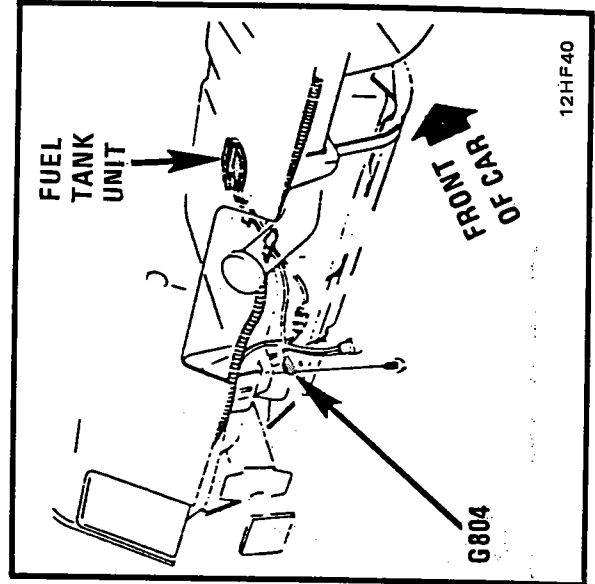


Figure D - Below Rear Of Trunk

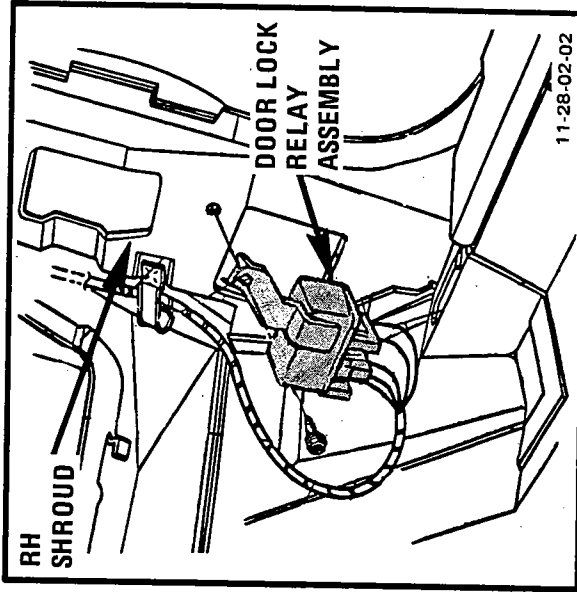


Figure E - Base Of RH Shroud

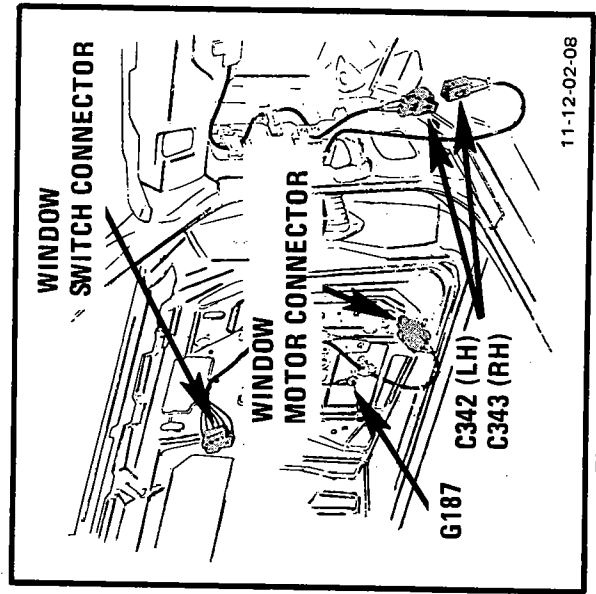


Figure F - LH Door And Shroud

COMPONENT LOCATION VIEWS

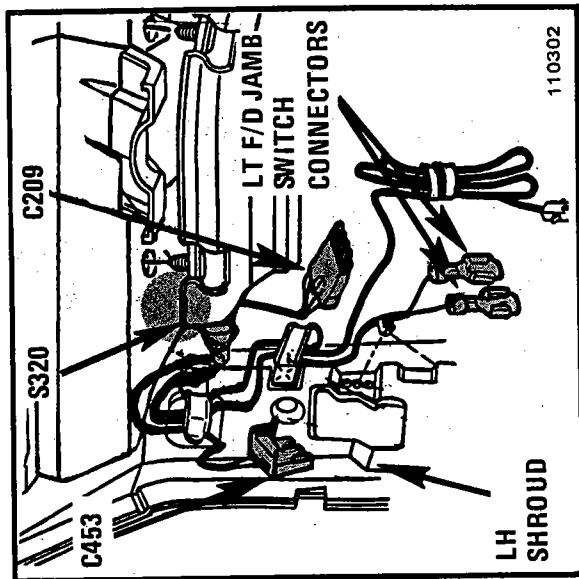


Figure A - Upper LH Shroud

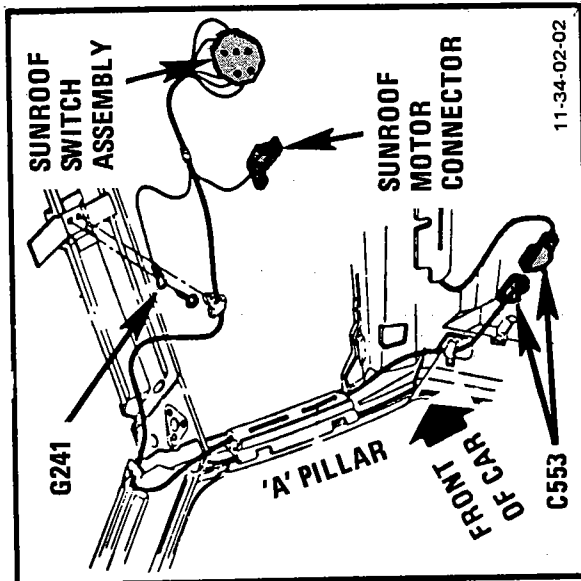


Figure C - LH Side Of Windshield Header

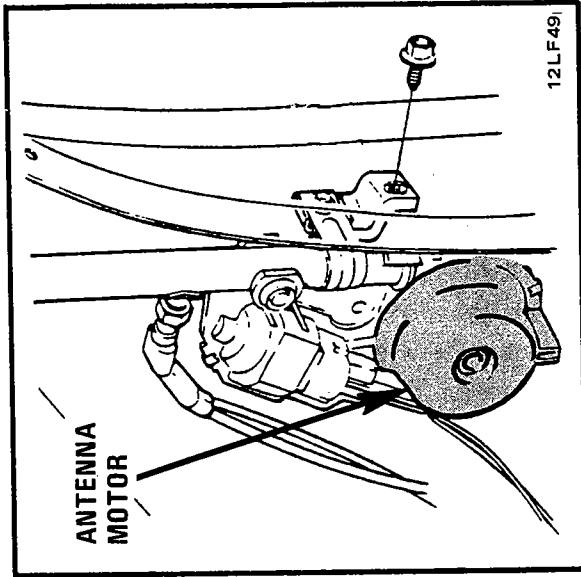


Figure E - In RH Front Fender

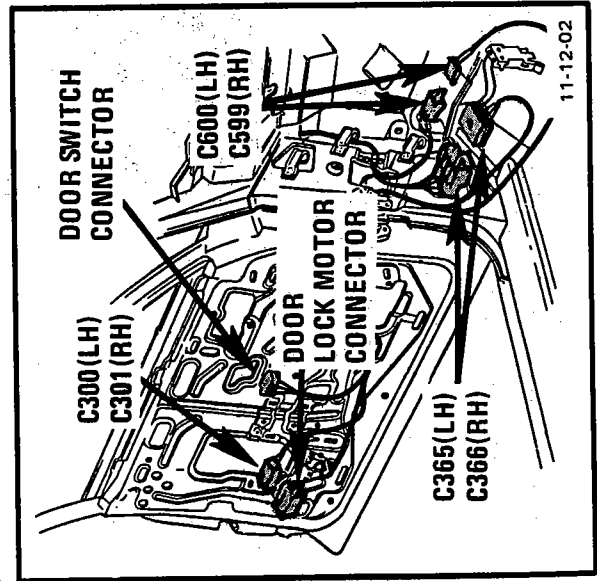


Figure B - LH Door And Shroud

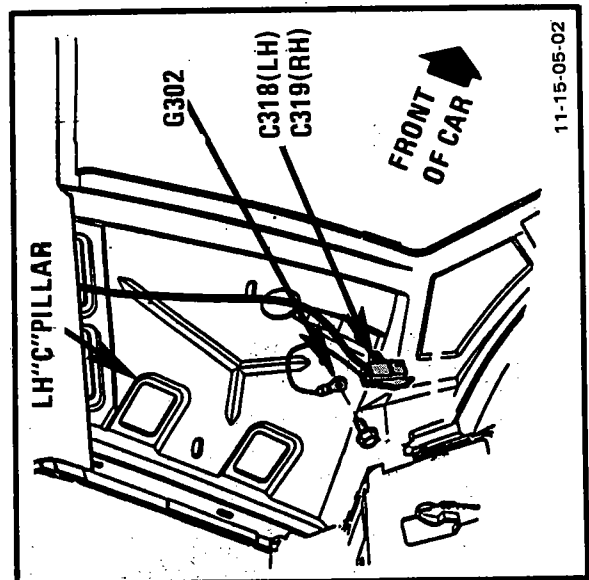


Figure D - LH "C" Pillar, Behind Panel

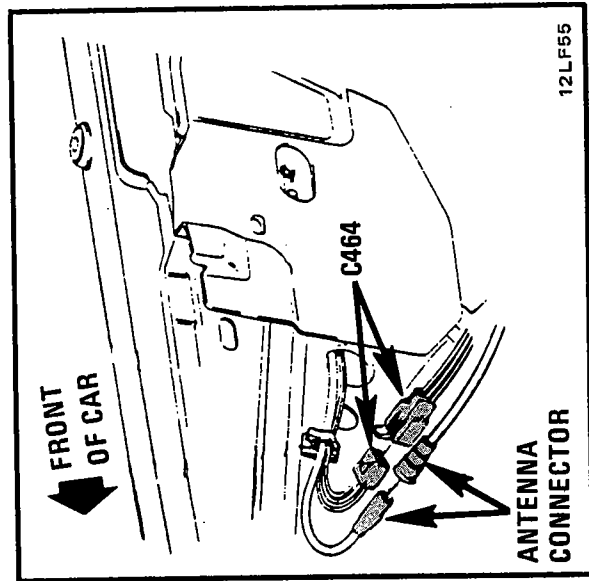
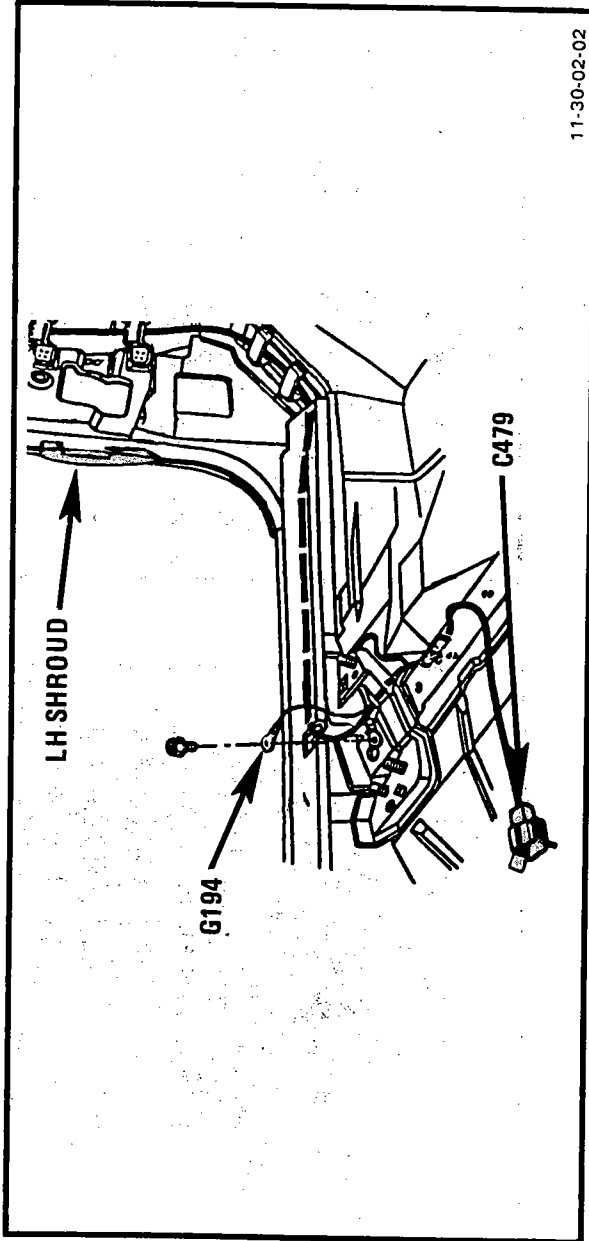


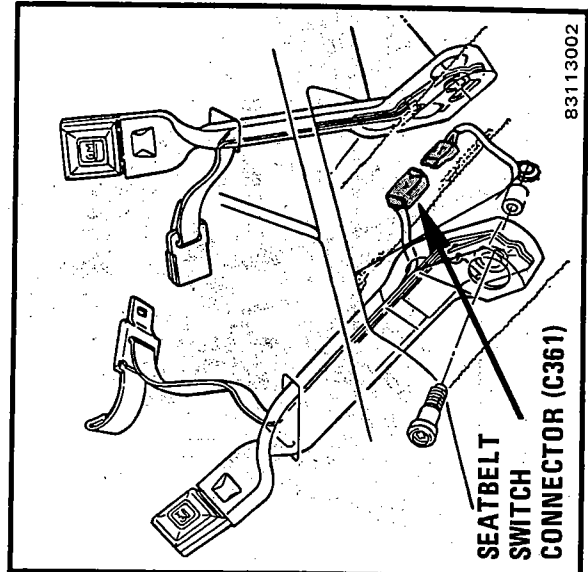
Figure F - RH Inner Fender Panel

COMPONENT LOCATION VIEWS



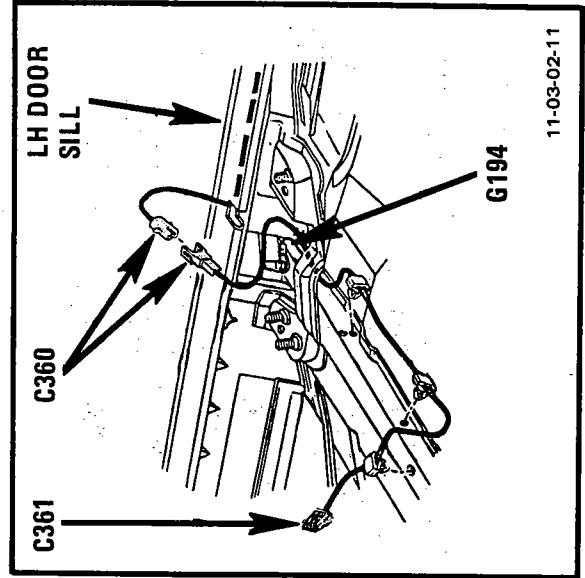
11-30-02-02

Figure A - LH Side Of Floor Plan



83113002

Figure B - Behind Front Seats

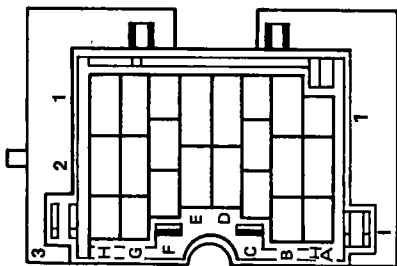


11-03-02-11

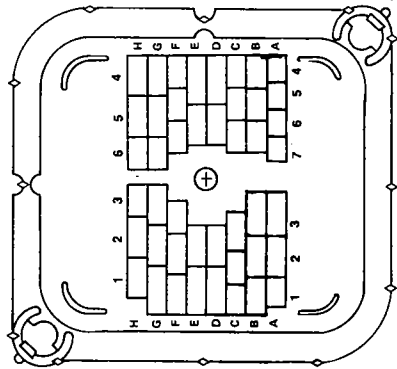
Figure C - Under LH Front Seat

BLANK

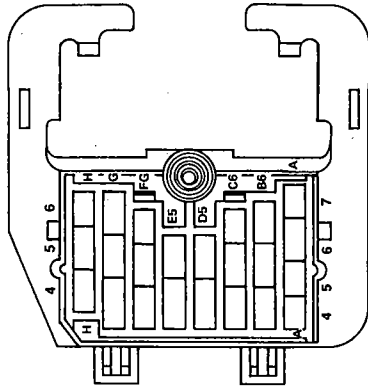
**HARNES CONNECTOR FACES
BULKHEAD CONNECTOR: C100**



**FRONT LIGHTS HARNESS CONNECTOR
(REMOVED FROM C100)**



**C100 TERMINAL VIEW
(AS MOUNTED ON COWL)**



**ENGINE HARNESS CONNECTOR
(REMOVED FROM C100)**

CAVITY	WIRE COLOR		SCHEMATICS - PAGE
	PIN HALF	SOCKET HALF	
A1	PPL	PPL	No Connection
A2	PNK	PNK	Wiper/Washer - 90-0, 91-0
A3	PNK	PNK	Wiper/Washer - 90-0, 91-0
B1	GRY	GRY	No Connection
B2	DK GRN	-DK GRN	Wiper/Washer 90-0, 91-0
B3	DK GRN	-DK GRN	Wiper/Washer 90-0, 91-0
C1	ORN	ORN	Cornering Lights - 113-0
C2	BLK/WHT	BLK	Cornering Lights - 113-0
C3	BLK/ORN	ORN	Engine Compartment Light - 114-0
D1	LT GRN	LT GRN	No Connection
D2	LT GRN	LT GRN	Headlights (Hi Beams) - 100-0
E1	DK GRN	DK GRN	Horns - 40-0
E2	TAN	TAN	Headlights (Lo Beams) - 100-0
F1			No Connection
F2			No Connection
F3			No Connection
G1	TAN/WHT	TAN/WHT	Brake Warning System - 41-0
G2	BRN	BRN	Lights: Front Park/Front Marker - 110-0
G3	BRN	BRN	No Connection
H1	DK BLU	DK BLU	Turn Lights (RH Front) - 110-0
H2	DK BLU	DK BLU	Turn Lights (LH Front) - 110-0
H3			No Connection

CAVITY	WIRE COLOR		SCHEMATICS - PAGE
	PIN HALF	SOCKET HALF	
A4	BRN	BRN	Charging System (VOLTS Indicator/Generator) - 30-0
A5	TAN	TAN	No Connection
A6	TAN	TAN	Instrument Panel: Warning Indicators (Oil Pressure) - 80-2, 82-3
A7	WHT	WHT	Instrument Panel: Indicators
B4	BRN	BRN	Turbo Boost Gage and Tachometer (Turbo VIN 7, V8 VIN Y) - 80-4
B5	RED	RED	Turbo VIN 7 - 31-0 Coolant Fan
B6	RED	RED	Power Distribution (Ignition Switch and Fuse Block) - 30-0, 30-1
C4	TAN/WHT	TAN/WHT	No Connection
C5	PNK/BLK	PNK/BLK	Turbo VIN 7 - 41-0, 46-0 Brake Warning & Powermaster
C6	PNK/BLK	PNK/BLK	Turbo VIN 7 - 21-1 Injectors
D4	PNK/BLK	PNK/BLK	Turbo VIN 7
D5	DK GRN	DK GRN	Ignition and Engine Check Light - 20-2, 22-0
E4	PPL	PPL	Instrument Panel: Digital (Coolant Temperature) - 82-3
E5	PPL	PPL	Instrument Panel: Indicators (Coolant Temperature) - 80-2
F4	RED	ORN	Starter - 30-0, 30-1
F5	RED	RED	No Connection
F6	RED	RED	Turbo VIN 7 - 10-1, 46-0, 31-0 Power dist
G4	RED	RED	No Connection
G5	GRY	TAN/WHT	Power Distribution (Light Switch and Fuse Block) - 10-0
G6	GRY	TAN/WHT	No Connection
H4	BRN/WHT	BRN/WHT	Turbo VIN 7 - 21-1
H5	PNK/BLK	PNK/BLK	Choke Heater (V6 VIN A) - 32-0
H6	PPL	PPL	Turbo VIN 7 - 21-0 Injectors

PowerMaster, Fans

HARNESs CONNECTOR FACES
JUNCTION BLOCK CONNECTOR: C453

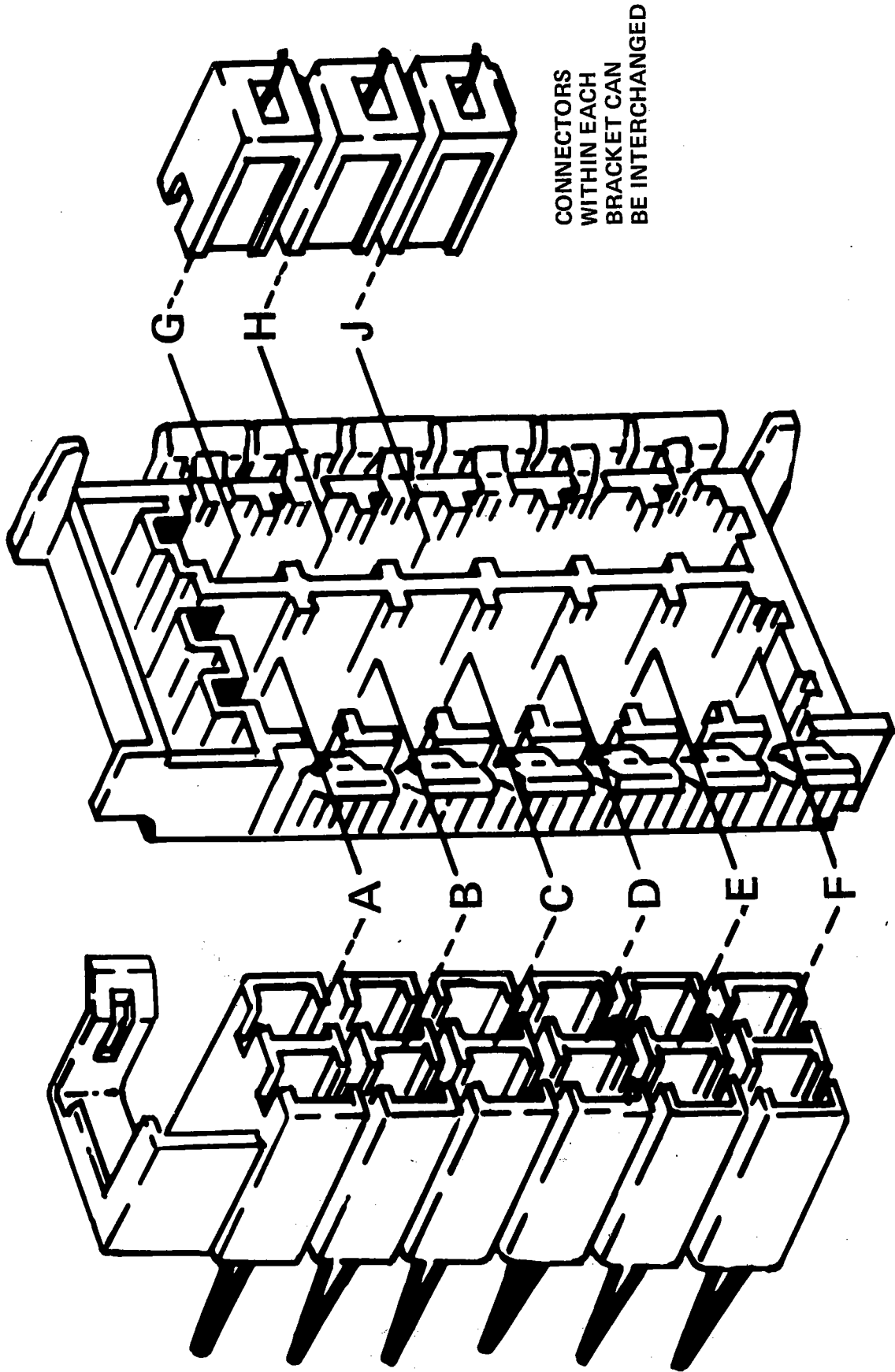
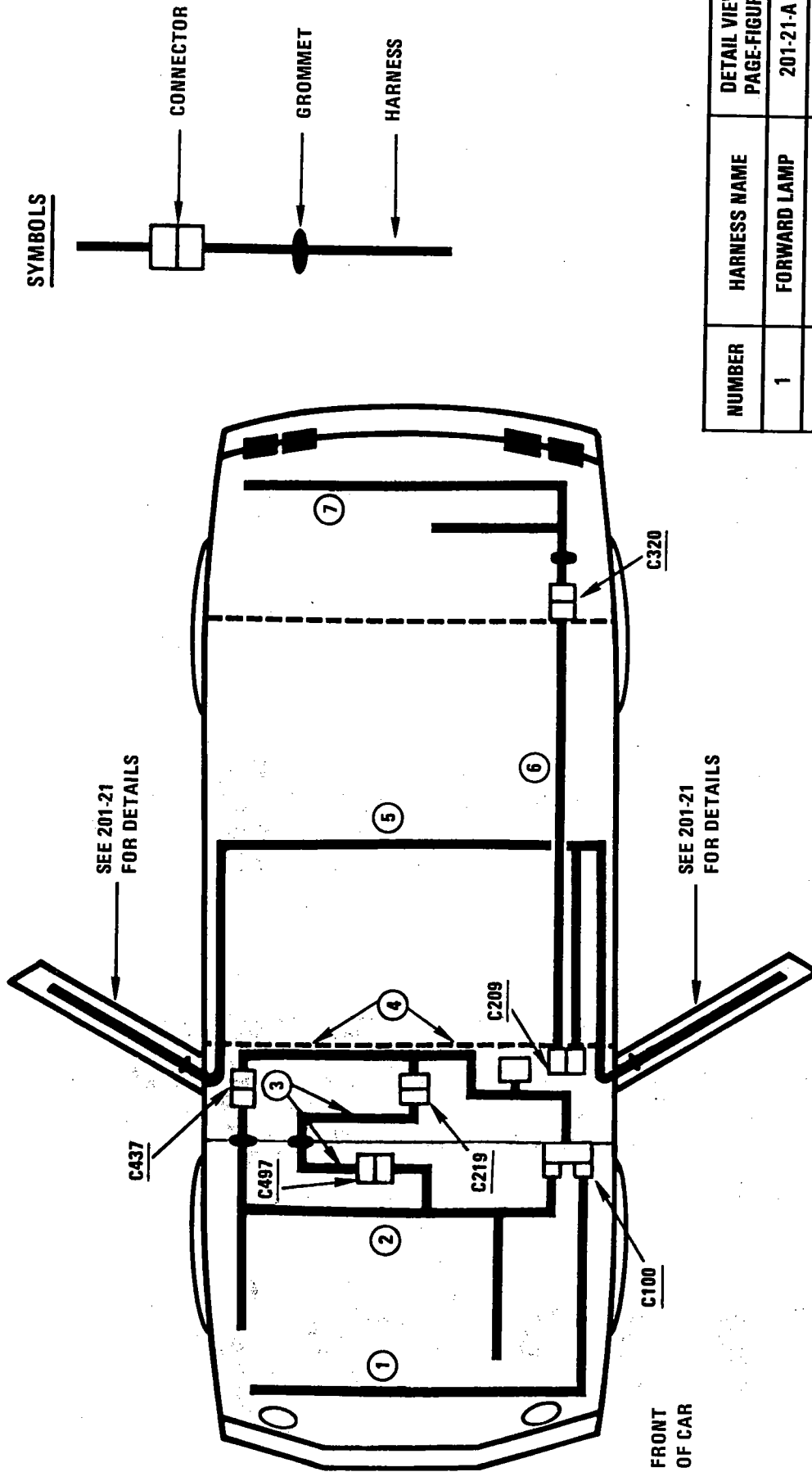


Figure 1 - C453 Located At Upper LH Cowl Area

HARNES ROUTING VIEWS



NUMBER	HARNES NAME	DETAIL VIEW PAGE-FIGURE
1	FORWARD LAMP	201-21-A
2	ENGINE	201-0-A
3	AIR CONDITIONING	201-20-A
4	INSTRUMENT PANEL	201-15-A
5	CROSS BODY	201-15-B
6	FRONT BODY	201-23-A
7	REAR BODY	201-21-B

BLANK

BLANK